

## Pneumatic Atomizing Nozzles (Low Flow Rate Type) PV/PNV Types

---

### ► Features

- Wide range flow rate is controlled and adjustable on the value at hand.
- PV type can change spray pattern freely from full cone to flat spray.
- No special tool required to overhaul.



---

### ► Applications

- Humidification, humidity control, spraying of deodorant, painting, cooling, sterilization, dust deposition, washing, spraying of chemicals, etc.

---

### ► Material

- Standard material of principal parts: stainless steel (SUS303)

---

### ► Model

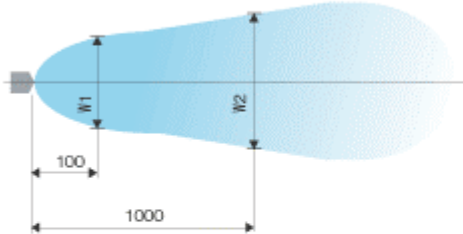
Connecting threads	1/8"
Flow rate	0.05 □ 1.3 L/min (at 0.03MPa)
Spray angle	-

## Performance Data

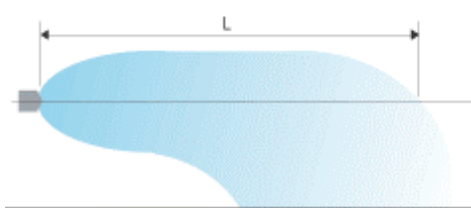
### Spray pattern characteristics

nozzle model number PV-D 2.0

(Widthwise, view from top)



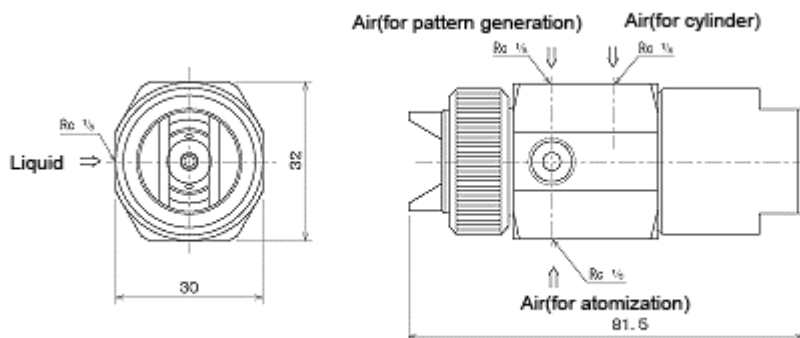
(Thicknesswise, view from side)



Spray air pressure (MPa)	Air pressure for pattern generation (MPa)	Water flow rate (m <sup>3</sup> /min)	W <sub>1</sub> (mm)	W <sub>2</sub> (mm)	L (mm)
0.2	0	40	50	300	4500
	0.2		110	500	5000
	0.5		180	550	5000
0.5	0		50	300	5000
	0.5		100	350	5000

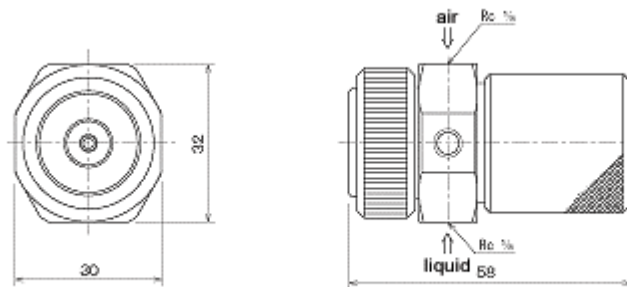
## Shapes and dimensions

### PV type (with automatic cylinder)



※ Nozzles with no automatic cylinder are also available.

## PNV type (with automatic cylinder)



NPT thread is also available.

---

### ■ Model and Model Number representing

PV - D  $\frac{0.4}{\text{Model number}}$

